



Network

Multi-sensor

## PNM-C7083RVD

2MP x 2CH AI Multi-directional Camera



### Key Features

- Analytics events based on AI engine: Classified object (Person/Face/Vehicle/License plate)  
Attributes(vehicle type: Car/Bus/Truck/Motorcycle/Bicycle)  
Support BestShot
- WiseNR II, Auto prefer shutter control, WiseStreamIII, extremeWDR (120dB)
- Maximum 1920x1080 resolution
- Maximum 30fps/25fps@2MP
- Color: 0.035lux(F2.2, 1/30sec, 30IRE), 0 Lux (IR LED on)
- 3~6mm(2x) motorized varifocal, 75° tilt angle
- IR viewable length: IR 25m(82ft)
- TPM 2.0(FIPS 140-2 certified)
- IP66, NEMA4X, IK10

# PNM-C7083RVD

2MP x 2CH AI Multi-directional Camera



## Specifications

### Video

Imaging Device	1/2.8" CMOS x 2CH
Resolution	1920x1080, 1600x1200, 1280x1024, 1280x960, 1280x720, 1024x768, 800x600, 800x448, 720x576, 720x480, 640x480, 640x360, 320x240
Max. Framerate	H.265/H.264: 2MP Max. 30fps/25fps(60Hz/50Hz) MJPEG: Max. 30fps/25fps(60Hz/50Hz)
Min. Illumination	Color: 0.035lux(F2.2, 1/30sec, 30IRE) BW: 0.0035lux(F2.2, 1/30sec, 30IRE), 0lux(IR LED on)
Video Out	USB: micro USB Type B, 1280x720 for installation

### Lens

Focal Length (Zoom Ratio)	3~6mm(2x) motorized varifocal
Max. Aperture Ratio	F2.2(Wide)~F3.1(Tele)
Angular Field of View	H: 107(Wide)~56.3(Tele) V: 57(Wide)~31.5(Tele) D: 126(Wide)~64.3(Tele)
Min. Object Distance	0.5m(1.64ft)
Focus Control	Simple focus
Lens Type	Fixed IRIS

### Pan / Tilt / Rotate

Pan / Tilt / Rotate Range	0~355° / 0~78° / 0~180°
---------------------------	-------------------------

### Operational

Camera Title	Displayed up to 85 characters
Day & Night	Auto(ICR)
Backlight Compensation	BLC, WDR, SSSR
Wide Dynamic Range	extremeWDR(120dB)
Digital Noise Reduction	WiseNR II (Based on AI engine), SSNR V
Motion Detection	8ea, 8point Polygonal zones
Privacy Masking	6ea, 4point Quadrangle zones - Color : Gray/Black/White
Gain Control	Support
White Balance	ATW / AWC / Manual / Indoor / Outdoor
LDC	Support
Electronic Shutter Speed	Minimum / Maximum / Anti flicker (1/5~1/12,000sec) Auto prefer shutter control(Based on AI engine)
Video Rotation	Flip, Mirror, Hallway view (90°/270°) - Each channel separately
Analytics	Classified object type : Person/Face/Vehicle/License plate Attributes : Vehicle(Type:car/bus/truck/motorcycle/bicycle) Support Bestshot Analytics events based on AI engine - Object detection, Virtual line(Crossing/Direction), Virtual area(Loitering/Intrusion/Enter/Exit) Analytics events* - Defocus detection, Motion detection, Tampering, Virtual area(Appear/Disappear)  * Support Audio detection, Sound classification via optional SPM-4210 I/O box
Alarm I/O	* Support Alarm via optional SPM-4210 I/O box
Alarm Triggers	Analytics, Network disconnect, Alarm input via optional SPM-4210 I/O box

<b>Alarm Events</b>	When alarm trigger occurred - File upload(image) : e-mail/FTP - Notification : e-mail - Recording : SD/SDHC/SDXC or NAS recording at event triggers - Handover(PTZ preset, Send message by HTTP/HTTPS/TCP) - * Alarm output via optional SPM-4210 I/O box
<b>Audio In</b>	* Audio in via optional SPM-4210 I/O box
<b>Audio Out</b>	* Audio out via optional SPM-4210 I/O box
<b>IR Viewable Length</b>	25m(82ft)

## Network

<b>Ethernet</b>	Metal shielded RJ-45 (10/100/1000BASE-T)
<b>Video Compression</b>	H.265/H.264: Main/Baseline/High, MJPEG
<b>Smart Codec</b>	Manual(5ea area), WiseStream II, WiseStream III(Based on AI engine)
<b>Bitrate Control</b>	H.264/H.265: CBR or VBR MJPEG: VBR
<b>Streaming</b>	Unicast(10 users) / Multicast 5 profiles per channel
<b>Protocol</b>	IPv4, IPv6, TCP/IP, UDP/IP, RTP(UDP), RTP(TCP), RTCP,RTSP, NTP, HTTP, HTTPS, SSL/TLS, DHCP, FTP, SMTP, ICMP, IGMP, SNMPv1/v2c/v3(MIB-2), ARP, DNS, DDNS, QoS, UPnP, Bonjour, LLDP, SRTP (TCP, UDP Unicast)
<b>Security</b>	TPM 2.0 (FIPS 140-2 level 2) HTTPS(SSL) Login Authentication Digest Login Authentication IP Address Filtering User access log 802.1X Authentication(EAP-TLS, EAP-LEAP, EAP-PEAP MSCHAPv2) Device Certificate(Hanwha Techwin Root CA, pre-installed) Secure by default certificate Secure OS/Boot/Storage, Verify firmware forgery
<b>Application Programming Interface</b>	ONVIF Profile S/T SUNAPI(HTTP API) Open platform

## General

<b>Webpage Language</b>	English, Korean, Chinese, French, Italian, Spanish, German, Japanese, Russian, Swedish, Portuguese, Czech, Polish, Turkish, Dutch, Greek, Hungarian
<b>Edge Storage</b>	Micro SD/SDHC/SDXC 1slot Max. 512GB
<b>Memory</b>	2GB RAM, 512MB Flash

## Environmental & Electrical

<b>Operating Temperature / Humidity</b>	-40°C~+55°C(-40°F ~ +131°F) / Less than 95% RH(Non-condensing)
<b>Storage Temperature / Humidity</b>	-50°C~+60°C (-58°F~+140°F) / Less than 95% RH(Non-condensing)
<b>Certification</b>	IP66/IP67, NEMA4X, IK10
<b>Input Voltage</b>	PoE+(IEEE802.3at, Class4)
<b>Power Consumption</b>	PoE+: Max 20W, typical 15.5W

## Mechanical

<b>Color / Material</b>	White / Aluminum Hard-coated dome bubble
<b>RAL Code</b>	RAL9003
<b>Product Dimensions / Weight</b>	215(W)x135(D)x93.2(H)mm(8.46"x5.31"x3.67") / 1330g
<b>Compatible Conduit hole / Gangbox</b>	3/4" (M25) single, double, 4" octagon, 4" square
<b>Hanging Mount (Dome)</b>	SBP-215HMW

## Certifications & Standards

<b>EMC</b>	FCC 47 CFR 15 Subpart B Class A ICES-3(A)/NMB-3(A) CE/UKCA - EN 55032 Class A, EN 50130-4 VCCI CISPR 32 Class A RCM AS/NZS CISPR 32 Class A KS C 9832 Class A, KS C 9835
------------	--

**Safety** UL 62368-1, CAN/CSA C22.2 NO. 62368-1  
IEC/EN 62471

**Environment** IEC/EN 63000  
IEC/EN 60529 IP66/67, IEC/EN 62262 IK10  
NEMA 250 type 4X

**DORI (EN62676-4 standard)**

**Detect (25PPM/ 8PPF)** Wide: 28.4m(93.22ft) / Tele: 71.8m(235.45ft)

**Observe (63PPM/ 19PPF)** Wide: 11.4m(37.29ft) / Tele: 28.7m(94.18ft)

**Recognize (125PPM/ 38PPF)** Wide: 5.7m(18.64ft) / Tele: 14.4m(47.09ft)

**Identify (250PPM/ 76PPF)** Wide: 2.8m(9.32ft) / Tele: 7.2m(23.55ft)

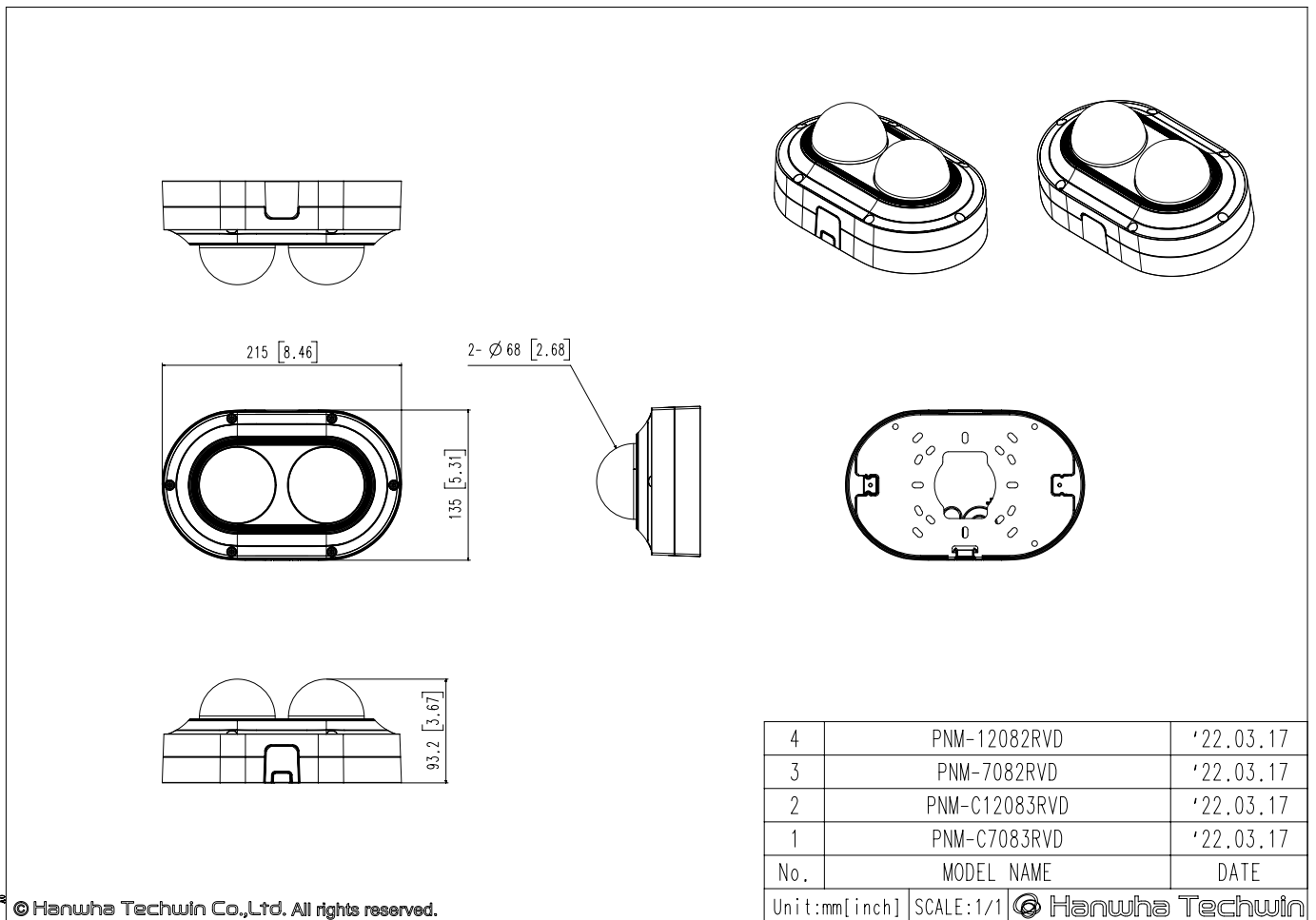
# PNM-C7083RVD

2MP x 2CH AI Multi-directional Camera



CAD

Unit: mm [inch]



© Hanwha Techwin Co., Ltd. All rights reserved.