

# Cable Management Arm CMA-01

## Quick Installation Guide

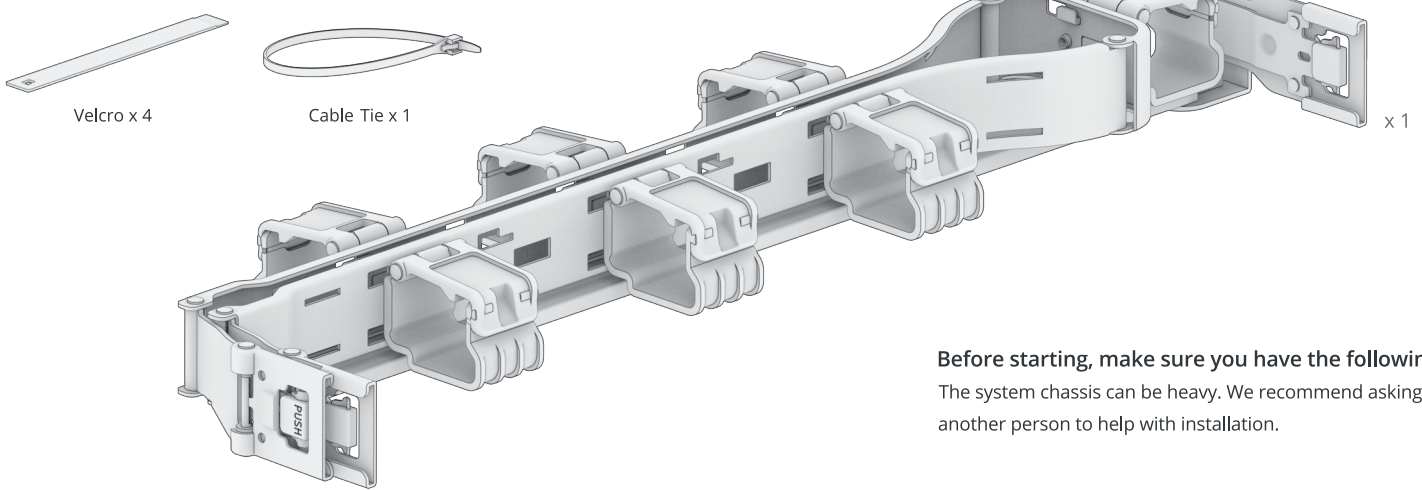
### Prepare For Installation

- Register your Synology product at [account.synology.com](http://account.synology.com)
- For technical support, visit [www.synology.com/support](http://www.synology.com/support)

### Warranty Notice

The warranty period starts from the purchase date stated on your receipt or invoice, so we recommend you keep your purchase receipt or invoice in a safe place. For more information, please visit [www.synology.com/company/legal/warranty](http://www.synology.com/company/legal/warranty)

### Package Content



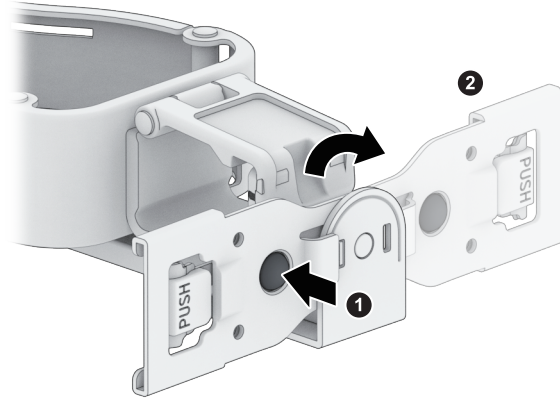
Before starting, make sure you have the following:  
The system chassis can be heavy. We recommend asking another person to help with installation.

## Installation

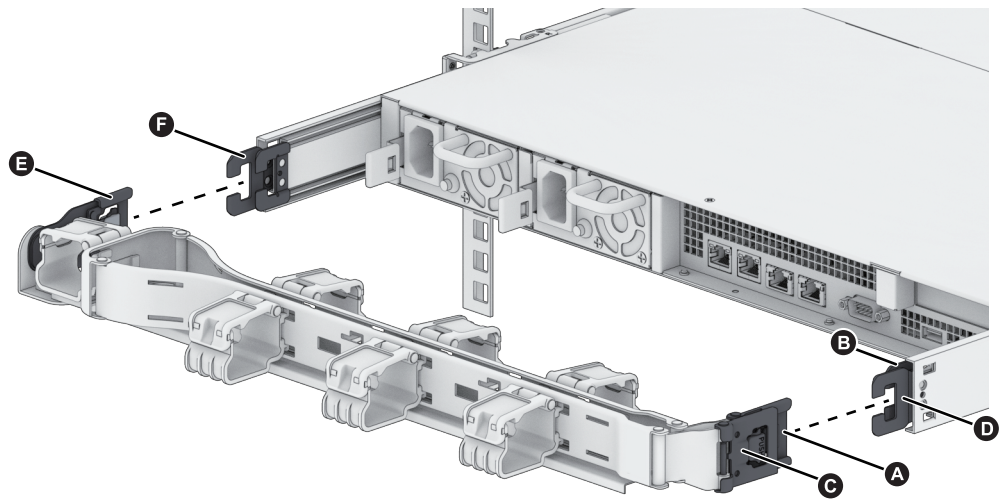
### 01

#### Adjust direction

1. Press on the indicated spot.
2. Spin the cable management arm 180 degrees in the direction you want.

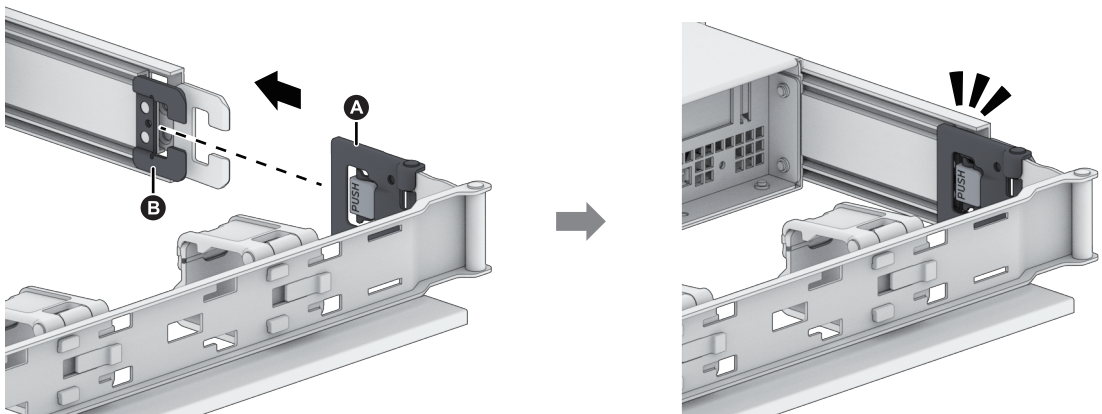


### 02



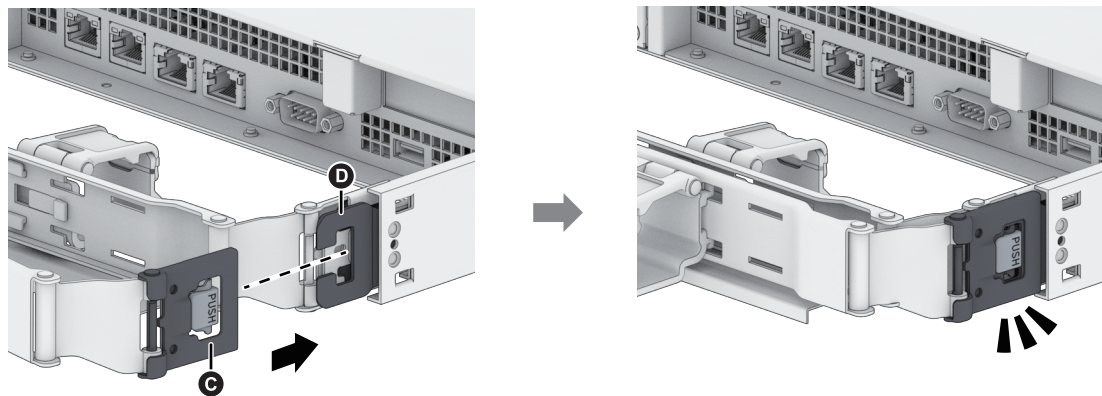
### 02-01

Fit and slide the connector (A) over the connector base on the inner fastener (B).



### 02-02

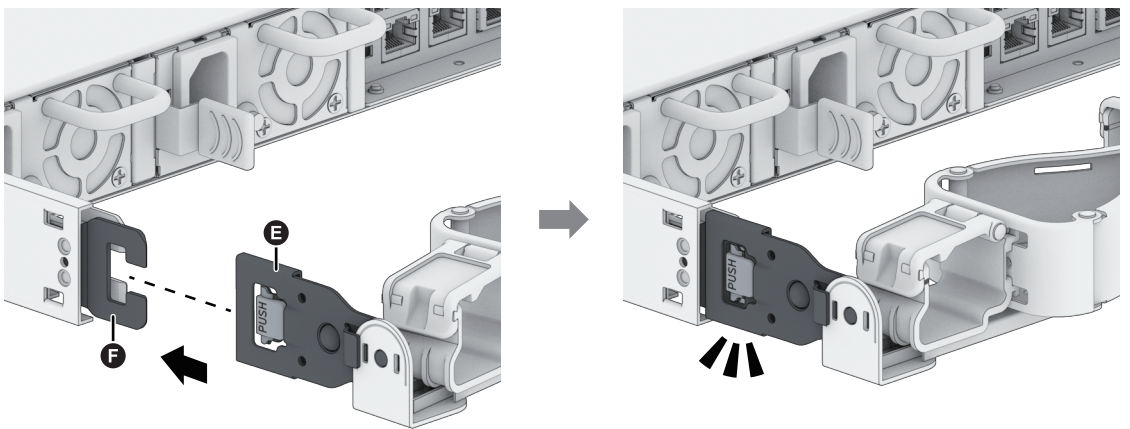
Fit and slide the connector (C) over the CMA connector base on the outer fastener (D).





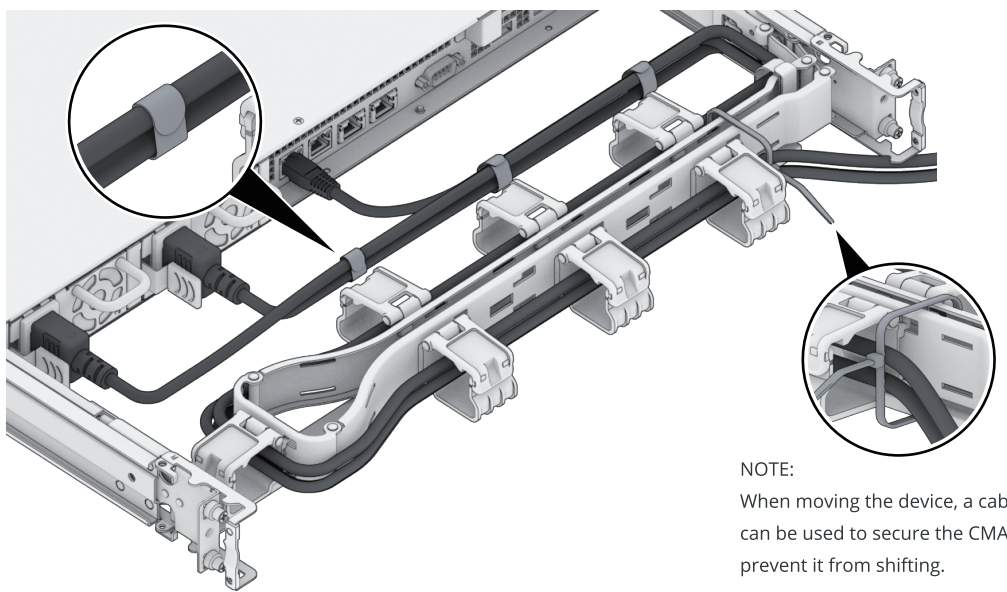
# 02-03

Fit and slide the connector beside the central latch (E) into the connector base (F) on the outer fastener.



# 03

1. Connect the cables back to your Synology NAS.
2. You can use velcro to organize your cables and affix them to the CMA.

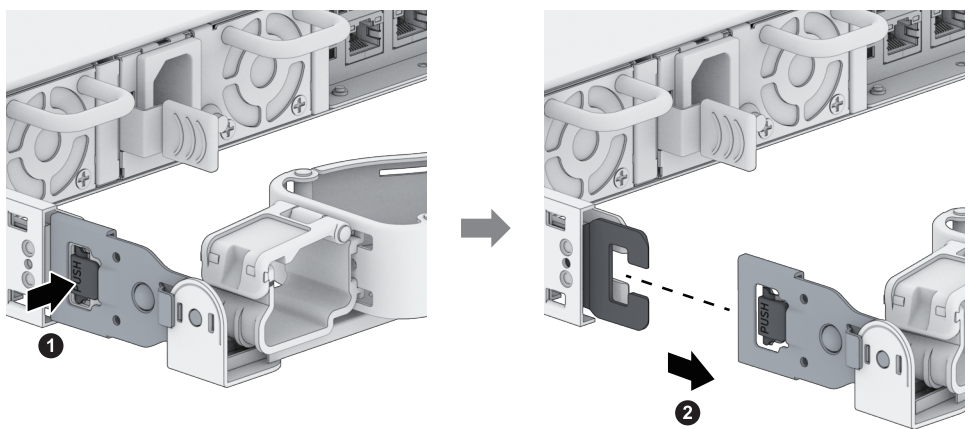


NOTE:  
When moving the device, a cable tie can be used to secure the CMA and prevent it from shifting.

## Removal

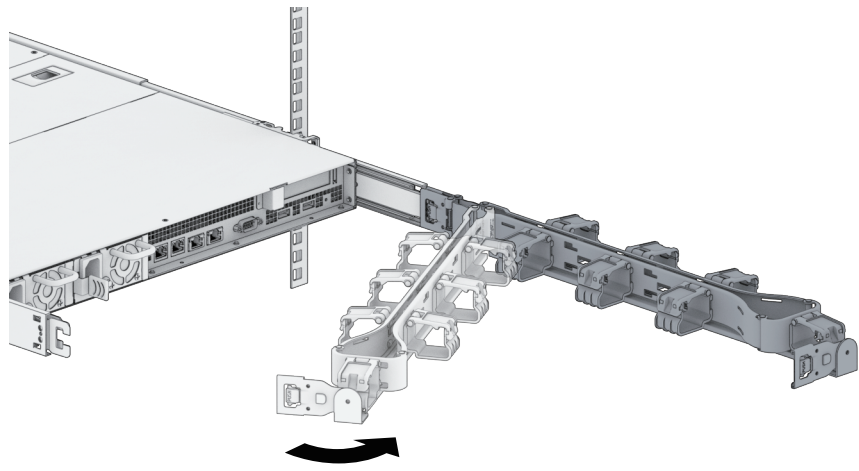
# 01

1. Disconnect all cables connected to your Synology NAS.
2. Press on the indicated spot on the outer fastener that is beside the central latch to unlock it, then slide it away from the connector base.



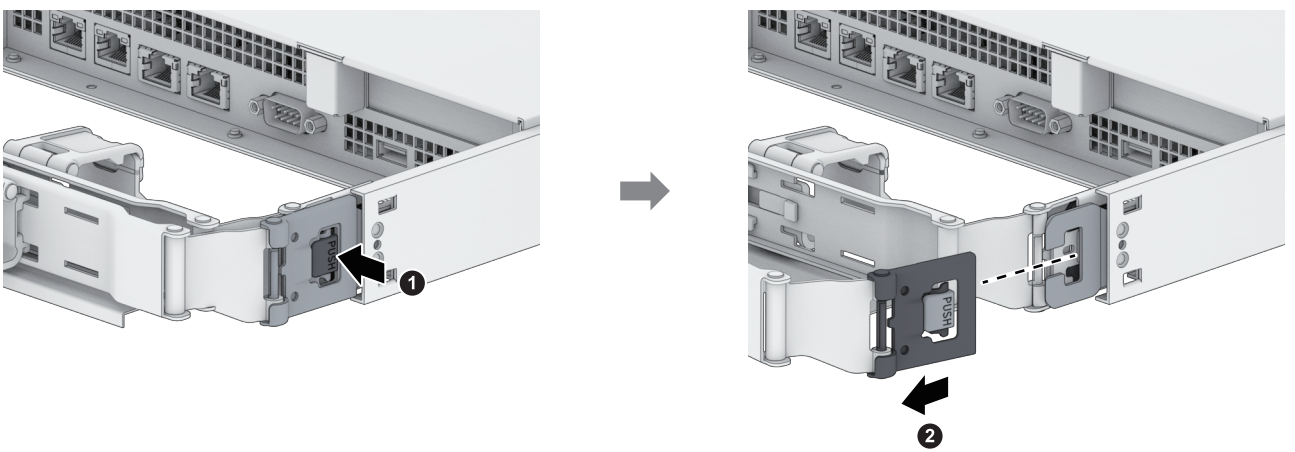
# 02

Turn the CMA 90 degrees clockwise.



# 03

Press on the indicated spot on the outer fastener to unlock it, then slide it away from the connector base.



# 04

Press on the indicated spot on the inner fastener to unlock it, then slide it away from the connector base.

