

HCB-7000PHA

4MP Analog Box Camera



FC |  | CE | EAC

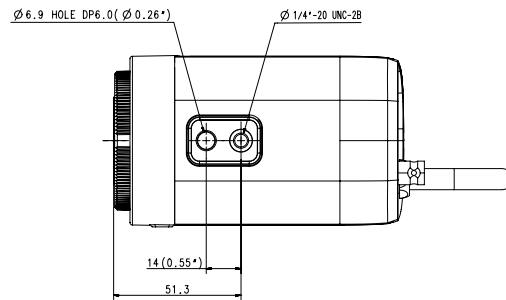
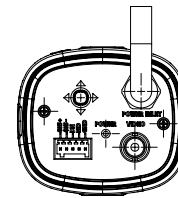
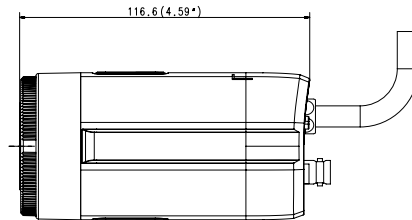
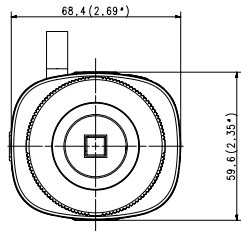
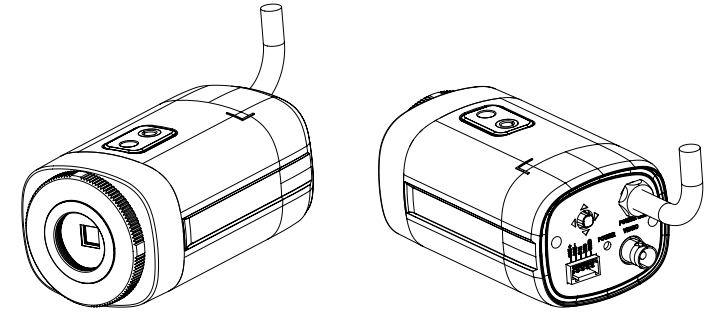
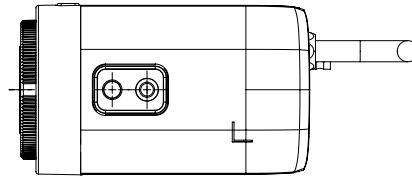
Key Features

- Max. 4MP resolution
- 0.16 Lux@F1.2 (Color), 0.009 Lux@F1.2 (B/W)
- Day & Night (ICR), Motion detection
- Transmission distance Max. 500m
- Easy installation (Plug & play)

| Video | |
|-----------------------------|---|
| Imaging Device | 1/3" 4MP CMOS |
| Min. Illumination | Color: 0.16Lux(F1.2, 1/30sec) BW: 0.009Lux(F1.2, 1/30sec) |
| Video Out | BNC(AHD), additional CVBS for installation |
| Lens | |
| Focus Control | Manual |
| Lens Type | DC auto iris |
| Mount Type | C mount, CS mount |
| Operational | |
| Day & Night | Auto(ICR) |
| Backlight Compensation | UserBLC, HLC, DWDR |
| Digital Noise Reduction | 2DDNR |
| Motion Detection | 4 zones |
| Privacy Masking | 2 zones |
| Gain Control | Low / Middle / High / Very High |
| White Balance | ATW / AWC / Manual / Indoor / Outdoor |
| Electronic Shutter Speed | 1/30 ~ 1/12,000sec(N), 1/25~ 1/12,000sec(P) |
| Video Rotation | H-Rev/V-Rev |
| Analytics | Motion detection |
| Serial Interface | RS-485(Samsung-T, Pelco-D/P) |
| Alarm I/O | MD Output 1ea |
| Coaxial Protocol | ACP(AHD Coax Protocol), CVBS: Pelco-C(Coaxitron) |
| Mechanical | |
| Color / Material | Black / Aluminum, Ivory / Plastic |
| Product Dimensions / Weight | 59.6(W)×68.4(H)×116.6(D)mm (2.35"×2.69"×4.59"), 398g(0.88 lb) |

- The latest product information / specification can be found at hanwha-security.com
- Design and specifications are subject to change without notice.
- Wisenet is the proprietary brand of Hanwha Techwin, formerly known as Samsung Techwin.

| NO | PART NAME | CODE NO. | MATERIAL | Q'TY | REMARK |
|----|-----------|----------|----------|------|--------|
| 1 | | | | | |



CHANGE

| UNIT | DATE | DESIGN | CHECK | APPROVAL | PART NAME | |
|----------------|------|----------|----------|----------|------------|---------------------------------|
| SCALE | 1/1 | HTW | - | - | MODEL NAME | - |
| | | 17.07.26 | 17.07.26 | 17.07.26 | MODEL NAME | HCB-6000PH/7000PH SCB-6003PH |
| HANWHA TECHWIN | | | | | CODE NO. | 057843 |