

SC-IPC3001E SC-IPC1204EH/8EH

Network + PoE over COAX Long-distance Transmission

These items are 1CH/4CH/8CH PoE coaxial long distance transmission devices, which consist of SC-IPT3001E(1CH Tx.), SC-IPR3001E(1CH Rx.), SC-IPR1204EH(4CH Rx.) and SC-IPR1208EH(8CH Rx.). It enables supplying power to the transmitter and an IP camera for their operation from the receiver's side and transmitting Ethernet data from the camera side to the NVR side.

Features

- Transmit power and network data by one coaxial cable (~1.4Km/ RG-6)
- Max. 1.8Km over RG-6 (based on 20Mbps/ data transmission only)
- Upgrade from analog to IP system without re-cabling
- Camera power(PoE type B) supply to an IP camera (1CH: Max. 30W, 4/8CH: Max. 12W)
- Max. bandwidth: 200Mbps (PHY rate), 75Mbps (TCP rate)
- 4CH/8CH Receivers with built-in switching HUB (SC-IPR1204EH/08EH)
– Enable transmitting multiple channel's camera image to NVR without any external HUB
- PoE On/Off switch mounted on the transmitter for camera power supply
- Func. Button for pairing a transmitter and a receiver with each other
- Easy installation and maintenance with LED indicators
- Cost-effective solutions compared to high-priced optical or HUB configuration solutions
- Auto diagnosis function for stable power supply
- Auto MDI/MDIX function
- Compact size for easy installation (bracket provided for installation)
- Built-in surge protection circuit

NEW

[SC-IPT3001E]

[SC-IPR3001E]

NEW

[SC-IPR1204EH]

NEW

[SC-IPR1208EH]

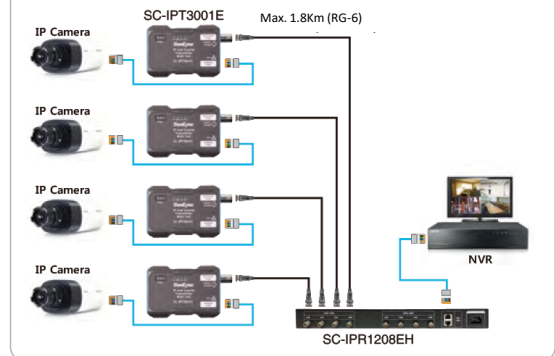
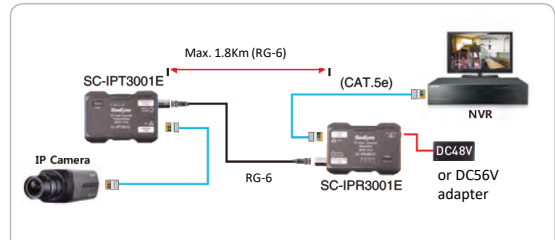


Specifications

MODEL	SC-IPT3001E
Transmission Bandwidth (MAX)	PHY Rate 200Mbps
Power Consumption of itself	2W(MAX.)
Output Power	Midspan PoE
Max. Power Supply for Camera	30W(SC-IPR3001E) 12W(SC-IPR1204/8EH)
Max. Transmission Distance (RG-6)	1.8Km @ Up to 20Mbps
Temperature / Humidity	-10°C ~ +50°C / 0 ~ 80%
Case body / Weight	ABS / 60g
Dimensions (mm)	90(W) x 55(H) x 24(D)

MODEL	SC-IPR3001E	SC-IPR1204EH	SC-IPR1208EH
Transmission Bandwidth (Max.)	PHY Rate 200Mbps		
Power Consumption of itself	2W(MAX.)	15W(MAX.)	30W(MAX.)
Input Power	DC 48V to 56V	AC90 to 240V	
Max. Power Output	30W	12W @ Channel	
Max. Transmission Distance (CAT.5e)	1.8Km @ Up to 20Mbps		
Temperature / Humidity	-10°C ~ +50°C / 0 ~ 80%		
Connection Port	RJ-45 X 1 BNC-F X 1	RJ-45 X 2 BNC-F X 4	RJ-45 X 2 BNC-F X 8
Case body / Weight	ABS / 60g	Steel / 3kg	Steel / 5kg
Dimensions (mm)	90(W) x 55(H) x 24(D)	310(W) X 44(H) X 200(D)	430(W) x 44(H) x 350(D)

Connection Diagrams



Dimensions

