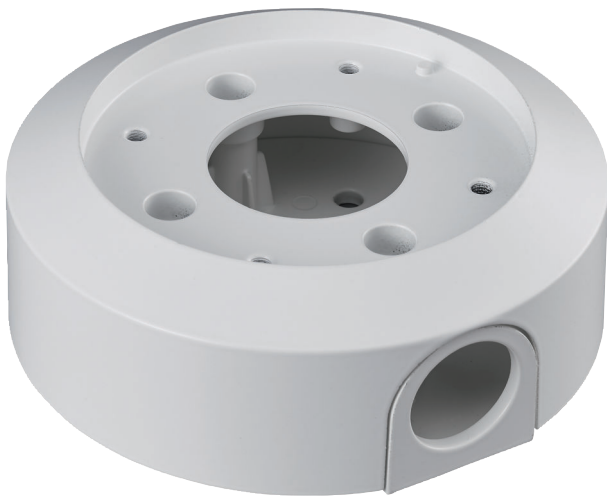


NDA-U-PSMB Pendant wall/ceiling mount SMB

www.boschsecurity.com



BOSCH
Invented for life



- ▶ Surface mount box (SMB) for wall mount or pipe mount.
- ▶ Modular design for easy and fast installation of Bosch dome cameras (fixed and PTZ)
- ▶ Perfectly matched parts for easy selection and in-field installation
- ▶ Weather resistant finish to maintain the cosmetic appearance over the years

Bosch's **Modular Camera Mounts & Accessories** offer a modular range of camera mounts, mounting adapters, camera interface plates and surveillance cabinets. All items are easy to handle and simplify the installations of our cameras across a wide range of applications to suit all of your needs. The mechanical design is extremely robust and suitable for any environment, both indoor and outdoor. The accessories are designed with usability in mind. It's modern and sleek design is a perfect combination of form and function.

Certifications and approvals

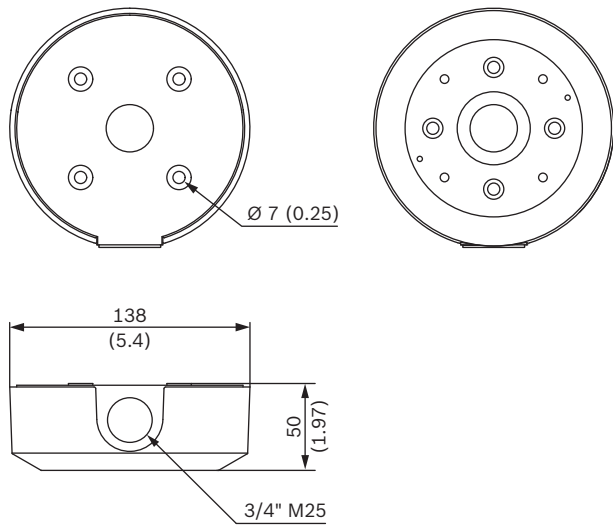
Environmental	
Salt mist	IEC60068-2-52
Vibration	NEMA TS2
Shock	IEC60068-2-27
Impact	IK10

Parts included

Quantity	Component
1	SMB for Pendant wall mount or Ceiling mount
4	M5 x 16 mm pan head Torx screw with Zinc coating
1	Rubber conduit plug
1	Quick Installation Guide

Technical specifications

Mechanical	
Dimensions	Φ 138 mm (5.4 in), H = 50 mm (2.0 in)
Weight	428 g (0.94 lb)
Standard Color	White (RAL 9003)
Construction Material	Aluminum alloy
Mounting	To a wall



Dimensions in mm (inch)

Ordering information

NDA-U-PSMB Pendant wall/ceiling mount SMB
Surface mount box (SMB) for wall mount or pipe mount.
Order number **NDA-U-PSMB**

Represented by:

Europe, Middle East, Africa:
Bosch Security Systems B.V.
P.O. Box 80002
5600 JB Eindhoven, The Netherlands
Phone: + 31 40 2577 284
emea.securitysystems@bosch.com
emea.boschsecurity.com

Germany:
Bosch Sicherheitssysteme GmbH
Robert-Bosch-Ring 5
85630 Grasbrunn
Germany
www.boschsecurity.com

North America:
Bosch Security Systems, Inc.
130 Perinton Parkway
Fairport, New York, 14450, USA
Phone: +1 800 289 0096
Fax: +1 585 223 9180
onlinehelp@us.bosch.com
www.boschsecurity.us

Asia-Pacific:
Robert Bosch (SEA) Pte Ltd, Security Systems
11 Bishan Street 21
Singapore 573943
Phone: +65 6571 2808
Fax: +65 6571 2699
apr.securitysystems@bosch.com
www.boschsecurity.asia