

# VARIO PSU

## VARIO Power Supply Units

The VARIO series of Power Supply Units (PSU) is purpose designed to correctly power all VARIO illuminators including VARIO IP, and provides a platform for the easiest, quickest and safest wiring and installation.

As a full product family, there is a PSU to power any VARIO illuminator. The VARIO PSU requires a 100-230V AC input and provides 24V output. 20W, 50W and 100W PSU options are available.

With multiple outputs, installers have the ability to power multiple VARIO illuminators from a single PSU (medium and large size PSU only). The VARIO PSU also provides CAT5 connectivity for VARIO IP network illuminators (medium and large size PSU only).

Each PSU features a 'Fast-Connect' wiring terminal for quick and easy wiring of all VARIO input and output connections, including telemetry input and photocell following output. White-Light LED status indicators are also provided on all fused outputs to indicate the correct voltage and to provide support illumination during wiring.

The VARIO PSU has a high quality IP66 aluminium enclosure making it suitable for all environmental conditions. It also features convenient automotive blade output fuses allowing for fast and easy sourcing and replacement if required. The Slowblow input fuse can also be easily replaced without disconnecting the mains input, for easier and safer installation and maintenance. The VARIO PSU series is suitable for all VARIO low voltage lighting installations.

## Features

### Powerful

- Powers all VARIO illuminators including VARIO IP
- Powers multiple VARIO illuminators from one PSU

### Flexible

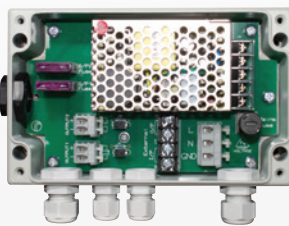
- CAT5 connection for VARIO IP (medium and large size PSU only)
- 'Fast-Connect' easy wiring for all VARIO input and output connections
- Internal illumination for night time installation

### Reliable

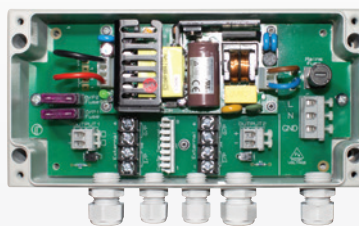
- High Quality IP66 Aluminium Enclosure
- Automotive blade output fuses - fast and easy sourcing and replacement

### Controlled

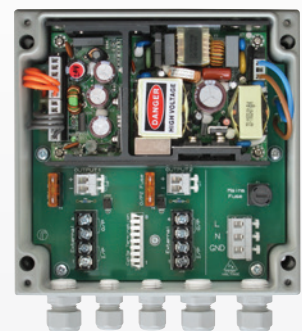
- Provides correct power for all VARIO illuminators
- Slowblow input fuse - replaceable without disconnecting mains input
- Status indicators signify correct voltage



VAR-PSU-1x2 (small)

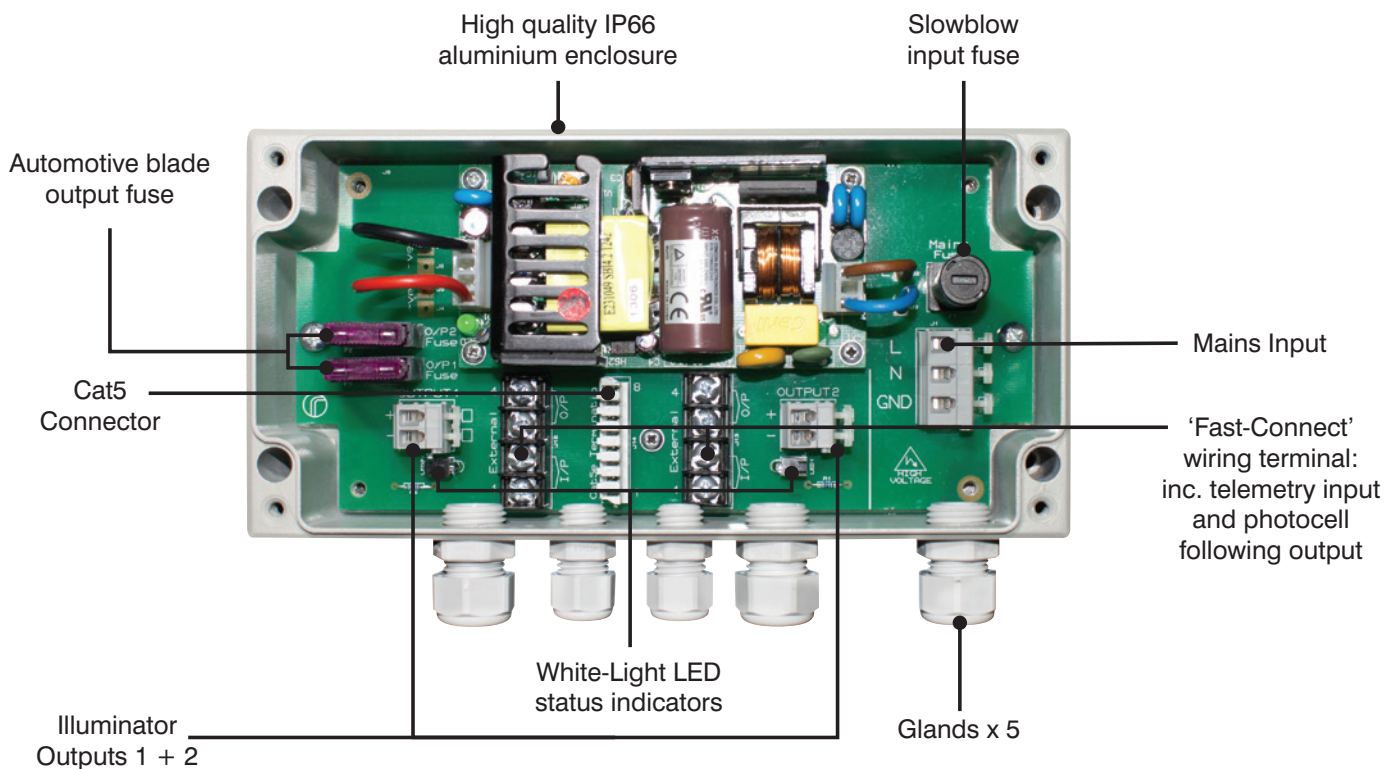


VAR-PSU-2x4 (medium)



VAR-PSU-2x8 (large)

## VARIO PSU Diagram



### Features

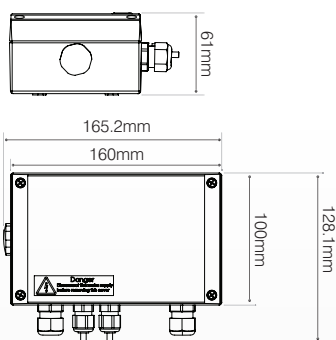
### Benefits

Purpose designed PSU for VARIO illuminators	Provides correct power and provides easy wiring and installation
A full family of VARIO PSU's	Can power any VARIO illuminator
<b>Multiple outputs</b> (available in medium and large model)	Ability to run multiple VARIO units from a single PSU
<b>Cat 5 connector</b> (available in medium and large model)	Easy CAT5 connection for VARIO IP illuminators
'Fast-Connect' Wiring	Robust terminal for fast and easy wiring of all input/output connections
White-Light LED status indicators	To identify correct output voltage and provide support illumination during installation and maintenance
High quality IP66 aluminium enclosure	Suitable for all environmental conditions
Automotive blade output fuses	Fast, easy sourcing and replacement
Slowblow input fuse	Can be replaced without disconnecting mains for easier and safer installation and maintenances.

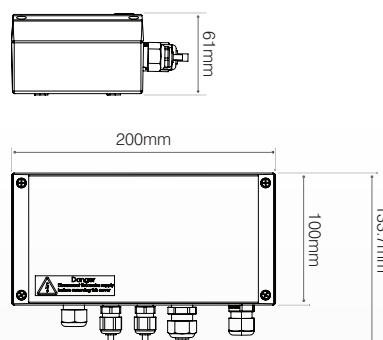
# Technical Specifications

	VAR-PSU-1x2 (small)	VAR-PSU-2x4 (medium)	VAR-PSU-2x8 (large)
Illuminators (standard)	1x VARIO 2 series plus aux output (max 8W)	2 x VARIO 4 series	2 x VARIO 8 series
Other Illuminator options		4 x VARIO 2 series*	4 x VARIO 4 series* 8 x VARIO 2 series*
*Please note: for medium and large PSUs powering an increased number of VARIO illuminators, the total power of the illuminators must be equivalent to the PSU max output - illuminator output cables may also need to be commoned together to suit the number of available glands.			
Mixed model sizes of VARIO illuminators can be powered from the same PSU e.g. VAR-PSU-2x4 can also run 2 x VARIO 2 series and 1 x VARIO 4 series			
Input	100-230V AC		
Input Fuse Type	20mm, slowblow, user replaceable without disconnecting mains input		
Input Fuse Rating	1A	2.5A	2.5A
Max Output	20W	50W	100W
Output for VARIO Illuminators	1 for VARIO 2 series	2 for VARIO 4 series or equivalent power units	2 for VARIO 8 series or equivalent power units
Output Fuse Type	automotive, blade, user replaceable		
Output Fuse Rating	3A	3A	5A
FastConnect™ wiring	Quick and easy wiring for VARIO input and output connections - 4 way robust terminal for telemetry input and photocell following output		
White Light status LEDs	White-Light LED status indicators on all fused outputs to indicate correct voltage and to provide support illumination during installation and maintenance		
Cat5 Connector	N/A	Cat5 Connector for VARIO IP	Cat 5 Connector for VARIO IP
Glands	2x M16, 2x M12, IP68	3x M16, 2x M12, IP68	3x M16, 2x M12, IP68
Enclosure construction	High quality, power coated, IP66 aluminium		
Dimensions	160 x 128 x 61 mm	200 x 134 x 61 mm	160 x 194 x 81 mm
Weight	0.9kg	1.0kg	1.7kg
IP Rating	IP66		
Certification	CE compliant		
Accessories available	External mounting feet		

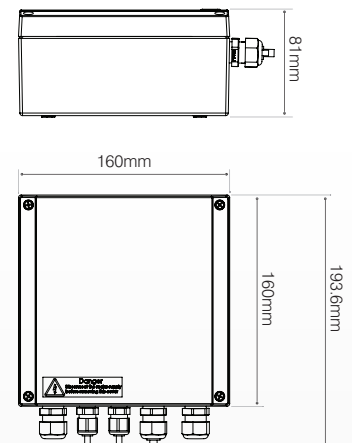
VAR-PSU-1x2 (small)



VAR-PSU-2x4 (medium)



VAR-PSU-2x8 (large)



## Part Codes

VAR-PSU-1x2	VARIO PSU - 24V, 20W, 1xO/P for 1x2 series VARIO illuminator
VAR-PSU-2x4	VARIO PSU - 24V, 50W, 2xO/P for 2x4 series VARIO illuminators
VAR-PSU-2x8	VARIO PSU - 24V, 100W, 2xO/P for 2x8 series VARIO illuminators

## 3 YEAR WARRANTY

All Raytec power supply units are provided with a 3 year warranty. Raytec power supply units are IP66 rated, robust and highly durable for long life and operation in all environmental conditions.



Raytec Global (excluding Americas)

Tel: +44 (0) 01670 520055  
sales@rayteccctv.com  
www.rayteccctv.com

Raytec Americas:

Tel: +1 613 270 9990  
Toll Free: +1 888 505 8335  
ussales@rayteccctv.com

**rayTEC**